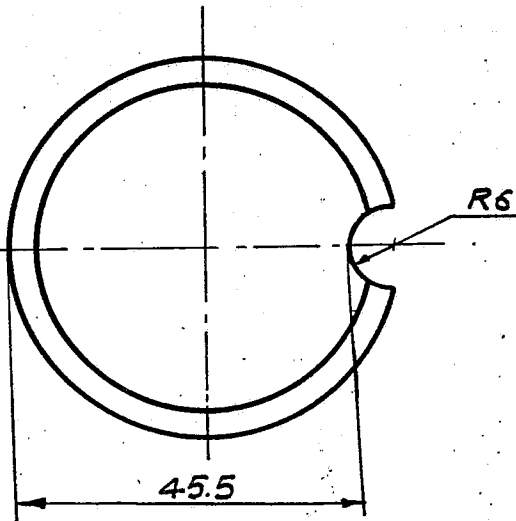
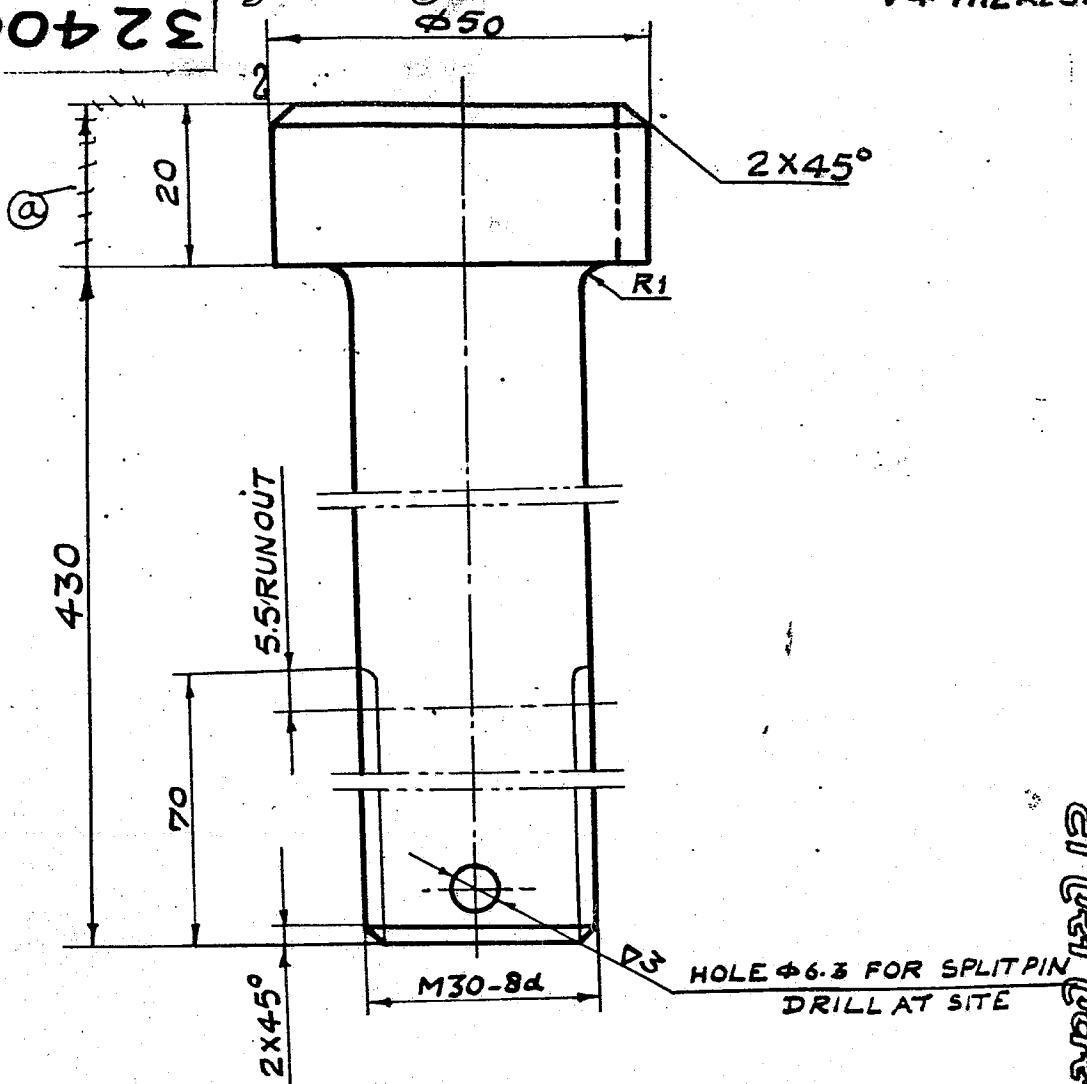


32406002

74 THE REST



12/11/2012

HM-028.13

INVENTORY NO.	7345	SIGN AND DATE	22.4.72	SUPERSEDES INVENTORY NO.		DUPLICATE INVENTORY NO.		SIGN AND DATE		U.S.R. DRAWING NO.	11830M-5	U.S.R.R. SP. (ASSEMBLY)	
---------------	------	---------------	---------	--------------------------	--	-------------------------	--	---------------	--	--------------------	----------	-------------------------	--

REV	NO.	DESCRIPTION	SIGN	DATE
a	1	STD-74-51	<i>P. Singh</i>	11/3/70
		WORKED BY	<i>P. SINGH</i>	11/3/70
		CHECKED BY	<i>P. SINGH</i>	11/3/70
		SUPERVISED		
		TECH. DESK	<i>J. LAL</i>	25/3/72
		STG. DESK	<i>M. P. SINGH</i>	19/4/71

C-200-130

32406000SP

SPECIAL BOLT 32406002

M30X430

STEEL

C 90 IS 2073-62

12/11/2012

LETTER	WEIGHT	SCALE
B	2.65	1:1
SHEET	TOTAL SHEET	
1	1	

NEED STD